



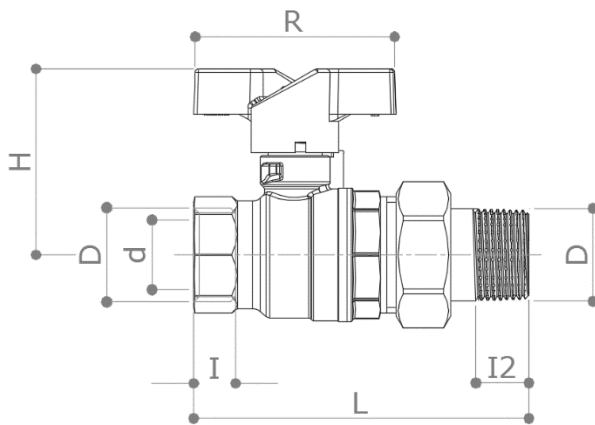
DESCRIPTION

52CE/3

F x union end “Extra Compact” full port ball valve with red butterfly lever.

Conform to EN 13828

DIMENSIONS



D	½" x ½"	¾" x ¾"	1" x 1"	1 ¼" x 1 ¼"
d	15	20	25	32
H	46	55,5	56	71
I	10.5	12	13.5	15.5
I2	13	14	16	17,5
L	83	96	107,5	129.5
R	58	65	65	75
Weight [g]	260	446	680	1090

Dimensions in mm

All threads are conform to ISO 228 standard

MATERIALS

- Body** CW617N (EN 12165) CuZn40Pb2 External nickel plated
- Ball** CW617N (EN 12165) CuZn40Pb2 Chromium plated
- Stem** CW614N (EN 12164) CuZn39Pb3
- Stuffing box** CW614N (EN 12164) CuZn39Pb3
- Seat** 2 x PTFE + 1 x PTFE seal on the stem
- O-Rings** 2 x FKM
- Handle** Painted aluminum

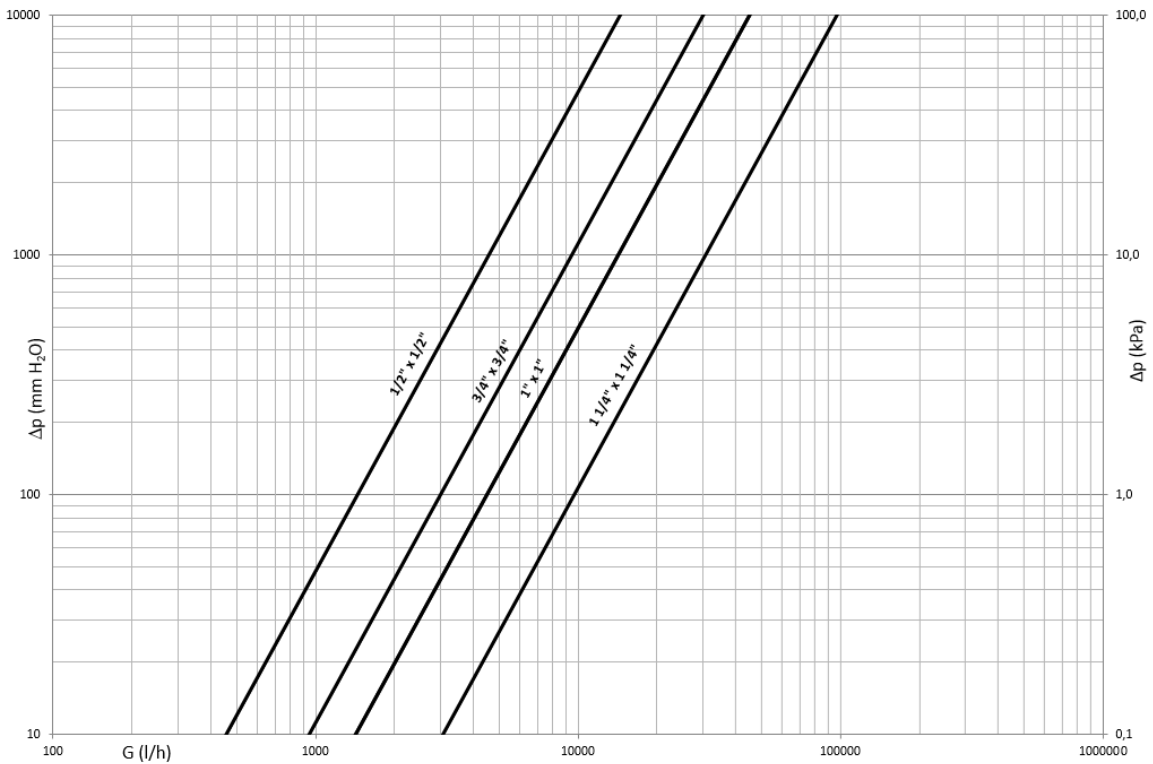
APPROVALS



RECOMMENDED WORKING TEMPERATURE/PRESSURE LIMITS

- 28 bar – 100°C – non shock (½" x ½" – 1" x 1")
- 10 bar – 150°C – non shock

PRESSURE DROP DIAGRAM



Dim.	1/2" x 1/2"	3/4" x 3/4"	1" x 1"	1 1/4" x 1 1/4"
Kv	14.5	30	45	97
PN	28	28	28	20

TEMPERATURE / PRESSURE DIAGRAM

